



双密封 AFO 堵头

AFO(仅有轴向力) 双密封堵头是一种金属对金属密封,可耐高压。另外,堵头上还配有一个 O 型圈,用于系统排气。液压系统中的气体或者系统中聚集的高压气体可以从侧面地孔中排出。

符合 NACE 标准的堵头。

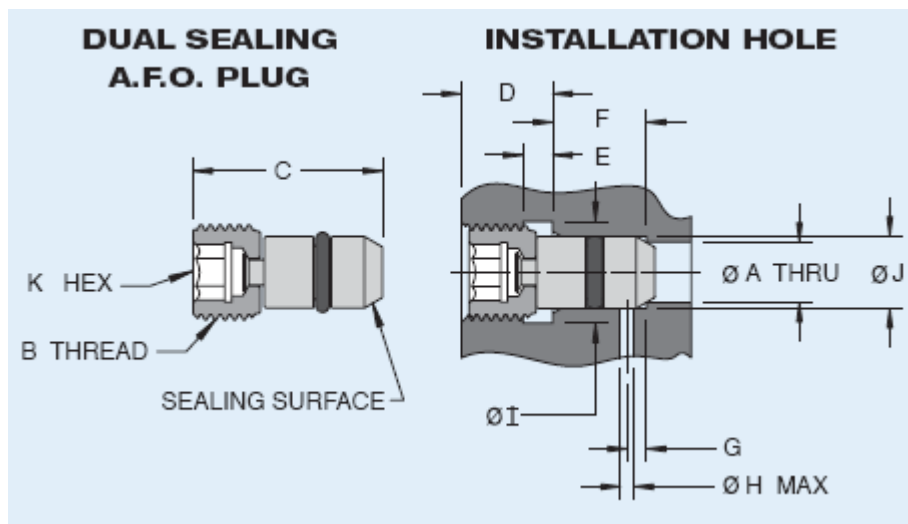
为满足石油行业的特殊要求, Lee Company 专门推出了符合 NACE 规范 MR0175/ISO15156 的堵头。这种堵头可以耐高温、高压下的腐蚀。



堵头的特点

- 可重复使用
- 耐压高达 56,000psi
- 浮动密封/自对齐, 防止磨伤
- 只有轴向力, 安装孔尺寸小
- 可按用户要求订制

堵头的结构及安装尺寸



材料

主体	303 不锈钢
头部	15-5PH 不锈钢
O-圈	70-80 计示硬度的 Viton

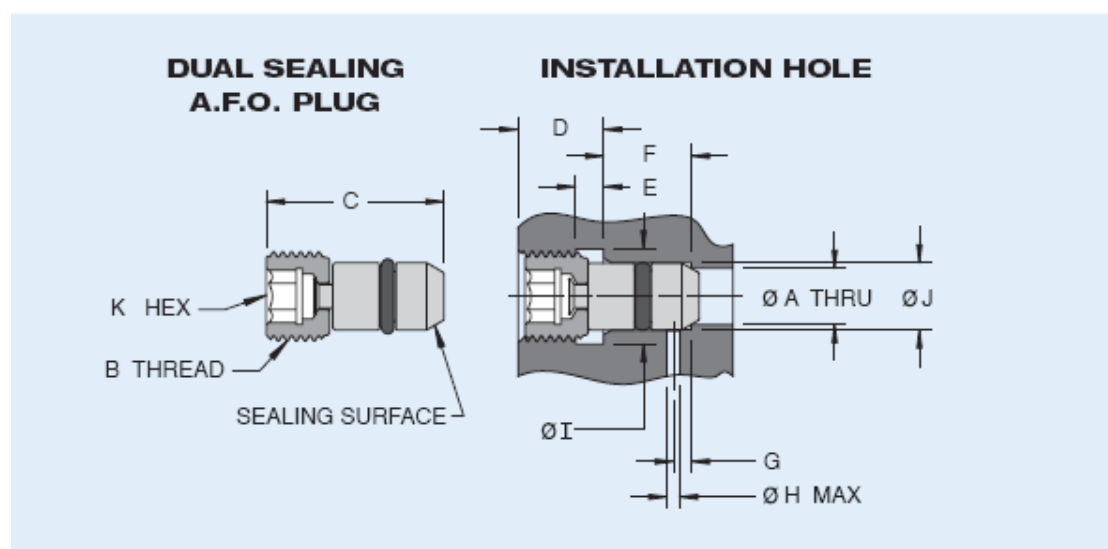
零件号

LEE PART NUMBER	DIMENSIONS (in inches)										
	A	B	C	D	E	F	G	H(max.)	I	J	K
PLAA2528110A	.120 - .130	.250-28	.593	.252	.090	.319	.060	.067	.280	.182	.125
PLAA5020110A	.308 - .318	.500-20	.967	.476	.156	.487	.100	.070	.530	.376	.250
PLAA7516110A	.526 - .536	.750-16	1.269	.634	.195	.608	.125	.100	.780	.626	.375

LEE PART NUMBER	PROOF PRESSURE (psi)						Coining Tool Part Number
	Stainless Steel Housing		AISI 8630 Housing		Aluminum Housing		
	Open	Closed	Open	Closed	Open	Closed	
PLAA2528110A	1,500	56,000	1,500	56,000	1,500	26,000	CUTA2500263A
PLAA5020110A	1,500	54,000	1,500	54,000	1,500	24,000	CUTA5000263A
PLAA7516110A	1,500	50,000	1,500	50,000	1,500	20,000	CUTA7500263A

符合NACE标准的堵头

堵头及安装尺寸



材料

主体	MP35N	NACE MR0175
头部	MP35N	NACE MR0175
O-圈	70-80 计示硬度的 Viton	

零件号

LEE PART NUMBER	DIMENSIONS (in inches)										
	A	B	C	D	E	F	G	H (max.)	I	J	K
PLAA2528120A	.120 - .130	.250-28	.593	.252	.090	.319	.060	.067	.280	.182	.125
PLAA5020120A	.308 - .318	.500-20	.967	.476	.156	.487	.100	.070	.530	.376	.250
PLAA7516120A	.526 - .536	.750-16	1.269	.634	.195	.608	.125	.100	.780	.626	.375

LEE PART NUMBER	PROOF PRESSURE (psi)						Coining Tool Part Number
	Stainless Steel Housing		AISI 8630 Housing		Aluminum Housing		
	Open	Closed	Open	Closed	Open	Closed	
PLAA2528120A	1,500	56,000	1,500	56,000	1,500	26,000	CUTA2500263A
PLAA5020120A	1,500	54,000	1,500	54,000	1,500	24,000	CUTA5000263A
PLAA7516120A	1,500	50,000	1,500	50,000	1,500	20,000	CUTA7500263A